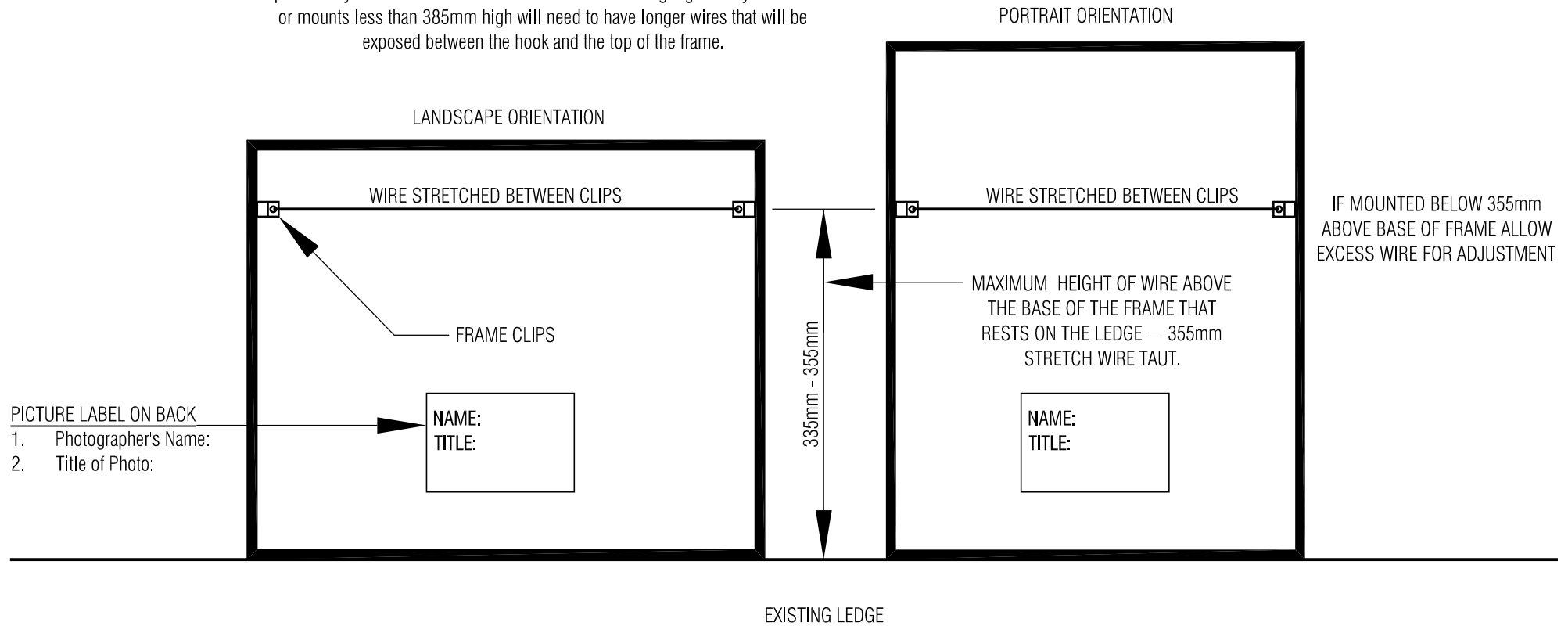
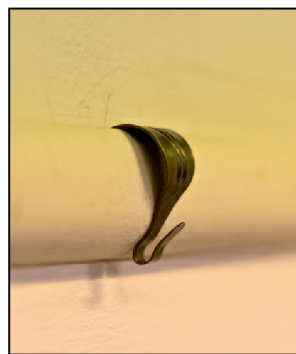
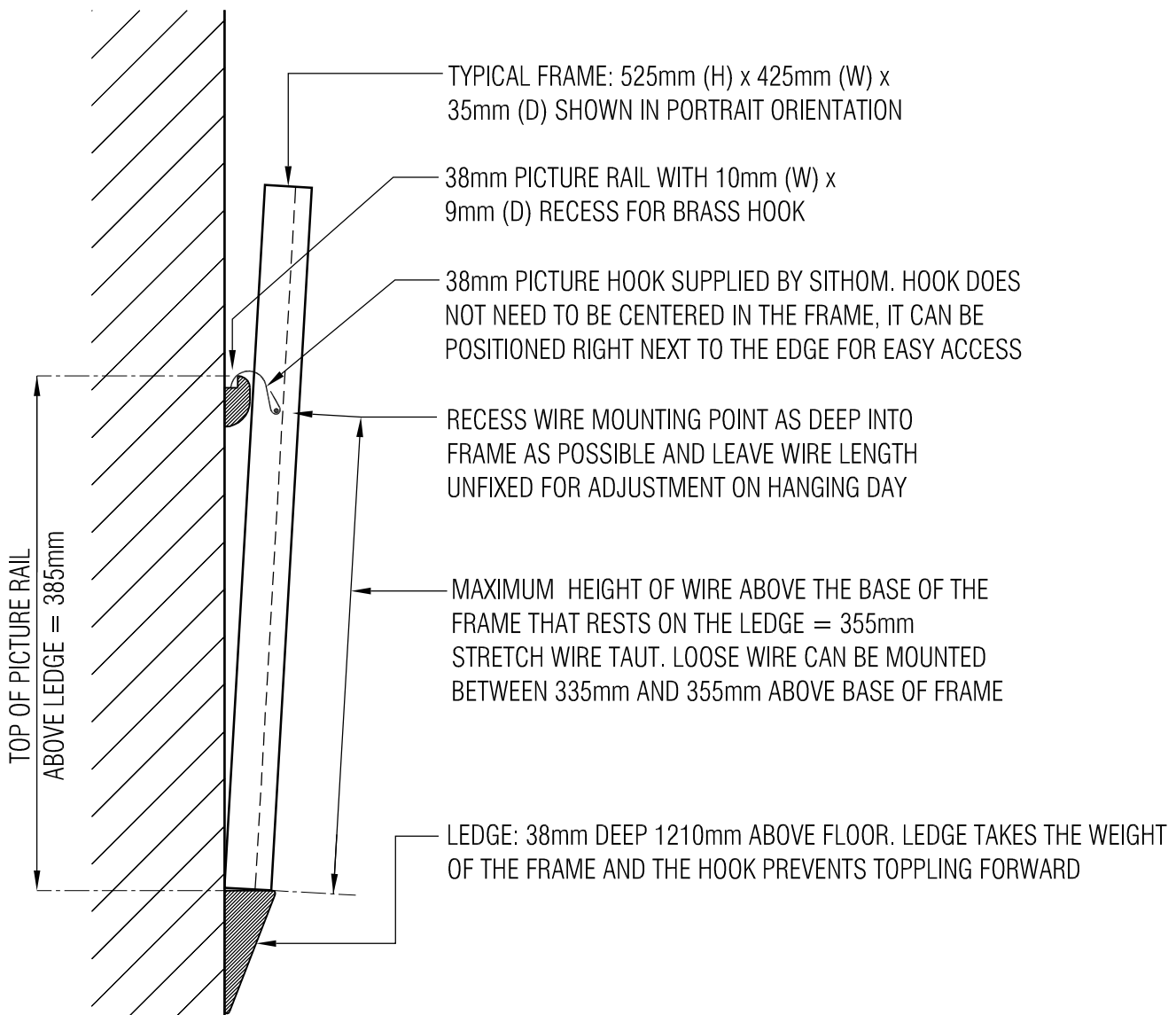


NOTE: Anyone using plastic frames, mattes or block mounts will need to modify the fixing to suit your particular arrangement. Frames with fixed wire points may need stick on wire mounts to achieve the right geometry. Frames or mounts less than 385mm high will need to have longer wires that will be exposed between the hook and the top of the frame.



REAR VIEW OF PICTURE FRAME  
WIRE MOUNTING LOCATION ON FRAMES TO SUIT VAS  
LEDGE AND PICTURE RAIL  
Scale = 1:5 @ A4



TYPICAL HOOK

FOR USE WHERE NORMAL WAS SCREW-IN, "L" SHAPED HOOKS CAN'T BE USED BECAUSE FRAMES ARE NOT WOODEN OR DON'T HAVE ENOUGH MATERIAL TO DRILL INTO.

## WIRE MOUNTING LOCATION ON FRAMES TO SUIT VAS LEDGE AND PICTURE RAIL

Scale = 1:5 @ A4

NOTE: Anyone using plastic frames, mattes or block mounts will need to modify the above fixing to suit your particular arrangement. Frames with fixed wire points may need stick on wire mounts to achieve the right geometry. Frames or mounts less than 385mm high will need to have longer wires that will be exposed between the hook and the top of the frame.